

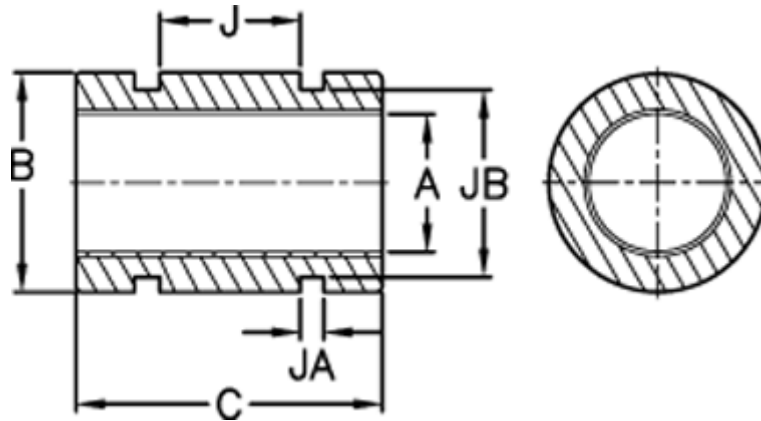
Data Sheet



Article number: 5012040

Description: Thin wall bearing FMT 40

Measures



A max	= 40.064	For o-ring	= 46 x 3,5
A min	= 40.0249999999999999	J	= 40
B max	= 52	JA	= 4.0999999999999996
B min	= 51.97	JB	= 46.2
Bush weight kg	= 0.1233	Static load (kg)	= 5040
C max	= 60	Surface area kcm	= 24
C min	= 59.746000000000002		
Concentric mm	= 0.0254		